

# QUALITROL® 206

Medium pressure relief device



## Compact protection of personnel and equipment

- 100% tested for life-long performance
- Corrosion resistant materials and robust design provide dependable protection
- Customizable for your application

### Product Summary

**Description** Mechanical overpressure protection device provides pressure relief on transformers during overpressure conditions, automatically resealing once pressure has fallen. Available with a stainless steel shield and/or up to two sealed switches.

**Application** For overpressure protection on transformers, load tap changers and other liquid-filled apparatus.



## QUALITROL® 206 medium pressure relief device

---

### Compact protection of personnel and equipment

- Stainless steel shield mounted on top of device redirects flow of hot oil and gas away from personnel or critical parts on the transformer
- Mesh flow opening allows for quick pressure relief, protecting your equipment while limiting the possibility of debris entering the device

### 100% Tested for life-long performance

- Every unit is tested and certified to meet operating standard prior to shipping, with test records kept on file
- When the pressure rises rapidly above the operating pressure, the unit will exhaust with a percussive “bang”
- Device positively reseals at no less than half its normal operating pressure
- The indicator and optional alarms will trip as the mechanism actuates

### Corrosion resistant materials and robust design provide dependable protection

- Mechanically fastened dual sealing gasket prevents seal blowout and protects against contaminants such as dirt and moisture
- Flange, ring and valve are made from aluminum and finished with a thermosetting powder coat for long life
- Switches are protected by durable cast enclosures with IP66 rating

### Customizable for your application

- Operating pressure is adjustable in three ranges (2.9 to 5.7 PSI, 5.8 to 8.6 PSI and 8.7 to 11.6 PSI)
- Available with Nitrile or Viton gaskets
- Available with up to two switches for alarm and control functions, with or without shield

---

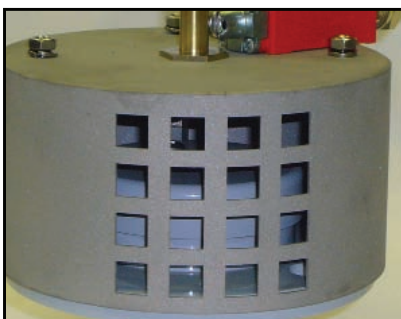
## Options and accessories

### Alarm switches & indicator



- Up to two switches can be specified for alarm or control functions
- Sealed (IP66) enclosure for switches withstands harsh environments
- Features a PG-13.5 cable gland and terminals for electrical connections
- Optional indicator clearly displays whether the device has been activated
- Indicator can be added with or without the shield and/or the alarm switches

### Shield



- Stainless steel shield mounted on top of device redirects flow of hot oil and gas away from personnel or critical parts on the transformer
- The shield accommodates up to two alarm switches and an indicator



## TECHNICAL SPECIFICATIONS

<b>Mechanical</b>	Recommended tank opening	75 mm [2.95 inches]
	Cover/plate diameter	162.9 mm [6.41 inches]
	Cover/plate height	98.9 mm (3.89 inches); 122.4 mm (4.82 inches) with switch
<b>Electrical</b>	Cable range and entry	PG-13.5 cable entry, max. 2.5 mm 2 strand wire (14 AWG)
	Dielectric isolation	2500 VDC, 50/60Hz for 1 minute
	Switch ratings	6 A @ 120 VAC, 3 A @ 240 VAC, 0.55 A @ 125 VDC resistive, 0.27 A @ 250 VDC resistive
<b>Materials</b>	Flange	Aluminum with iron phosphate coating and ASA 70 light gray thermosetting powder coat
	Ring	Aluminum with chromate conversion coating
	Valve	Aluminum with ASA 70 light gray thermosetting powder coat
	Indicator	Brass
	Bushing	Nickel-plated brass
	Spring	ASTM A229 oil tempered spring wire with zinc plate and chromate
	Spring seat	Aluminum
	Valve stem	Carbon steel with zinc plate and chromate
	Gaskets	Nitrile (standard) or viton (optional)
	External hardware	Stainless steel
	Plate/cover	Stainless steel
	Studs	Stainless steel or nickel-plated brass
<b>Environmental</b>	Ambient operating temperature	-40°C to +80°C (-40°F to +176°F) with oil temperature at 30°C
	Oil operating temperature	-20°C to +100°C (-4°F to +212°F)
	Switch enclosure	Meets IP66 requirements
	Switch operating temperature	-25°C to +85°C (-13°F to +185°F)



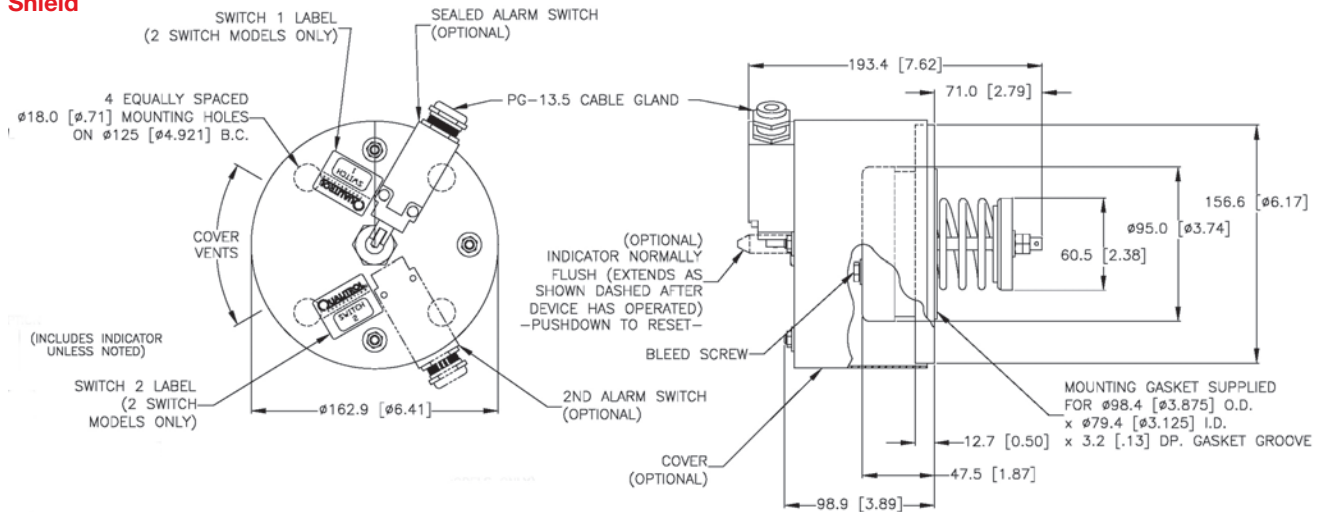
### Don't see what you need?

QUALITROL regularly creates models with special customer requirements. Contact your local sales representative or QUALITROL Application Engineer to review your special requirements.

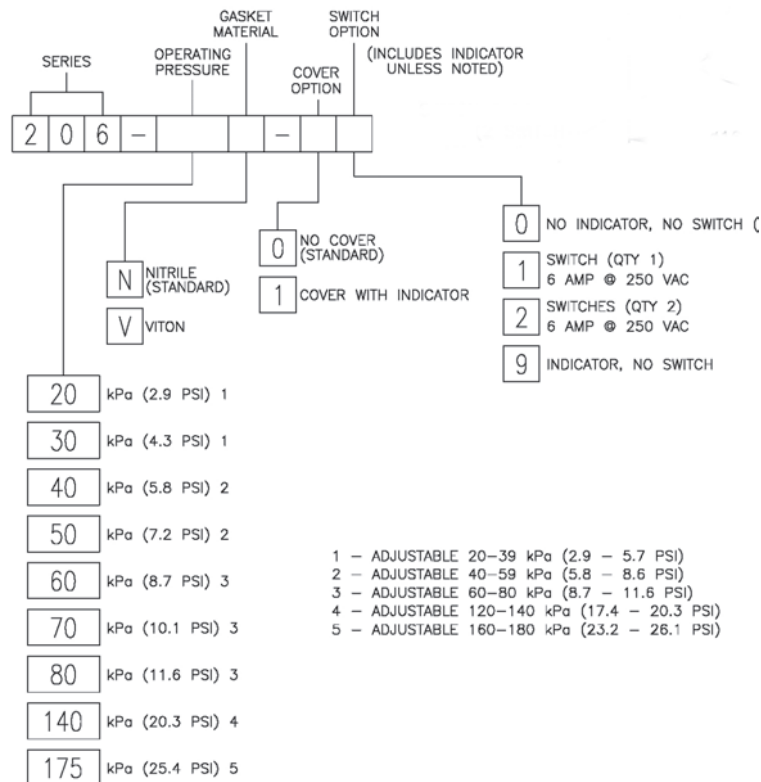


# QUALITROL® 206 medium pressure relief devices

## Shield



## Ordering Information



## About QUALITROL®

QUALITROL Company LLC manufactures substation and transformer monitoring and protection devices used by electric utilities and manufacturing companies. It is the global leader in sales and installations of transformer asset protection equipment, fault recorders and fault locators. Established in 1945, QUALITROL Company produces thousands of different types of products on demand, each customized to customers' unique requirements.

©2008 QUALITROL® Company LLC, an ISO 9001 system certified company. All rights reserved. Information subject to change without notice. All trademarks are properties of their respective companies, as noted herein. AP-P04-02A-01E